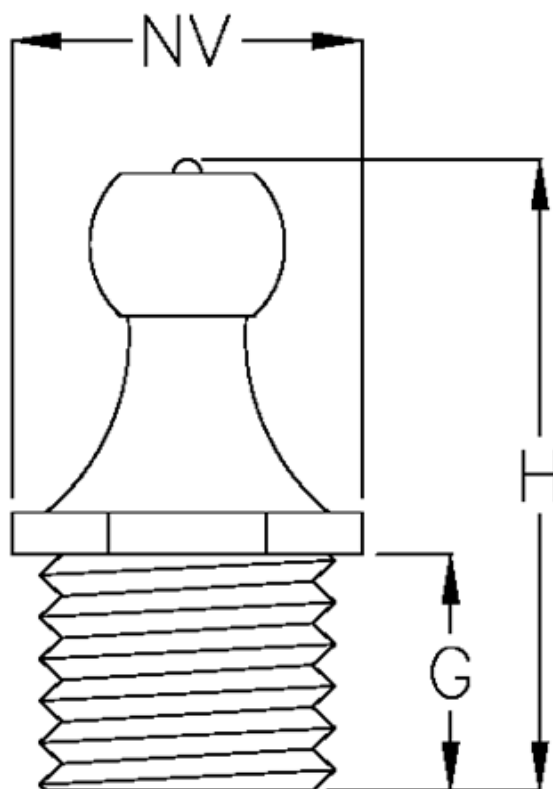


Article number: 5309010501

Description: KLEE Hydraulic lubricating nipple DIN 71412  
H1 straight, M8x1,0 self cutting

## Measures



G	= 6
H	= 16
NV	= 8,9
Thread	= M8x1,25